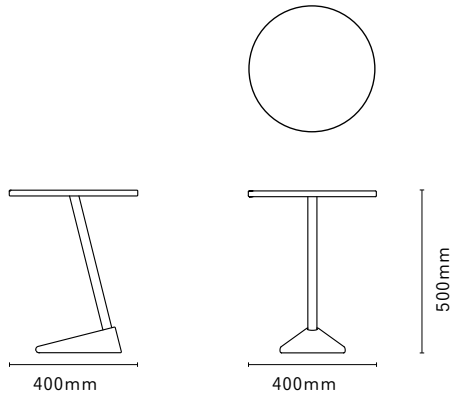


ELEMENTS

SIDE TABLE



Created from a marble base, a stainless-steel stem and a solid wood top, the Elements side-table unifies three distinct geometries to form one function. It is named after the three elements, mineral, carbon and fibre, from which it is created. Each material was carefully chosen for its inherent values: the marble for its stability, the steel for its strength and the wood for its tactility. Available in an array of wood finishes and stone bases, the table can be customised to suit any interior.

Year. 2016

Category. Table

Dimensions. L 400mm x W 400mm x H 500mm

Materials. Marble / Stainless Steel / Oak



MADE IN RATIO

info@madeinratio.com

www.madeinratio.com



ELEMENTS